

INSTALLATION INSTRUCTION

OIL COOLER KIT

ITEM NO.:1142400R



Please place an oil pan or something similar under your BMW. Please pre-assemble the bracket with the clamp for the central oil cooler installation on the frame tube. Please use the two enclosed hexagon socket screws M8x20 with an M8 washer each. Do not tighten the clamp yet.

Mount the oil cooler on the pre-assembled bracket (connections downwards) with the two hexagon socket screws M6x20 each with an M6 washer. Please ensure that the oil cooler is facing away from the frame. Dismantle the oil filter.

ATTENTION, please catch any escaping oil.

Replace the guide tube in the middle with the tube supplied. This is to be fitted with high strength screw locking agent. Make sure that the protrusion to the housing is 3mm (see figure 1).

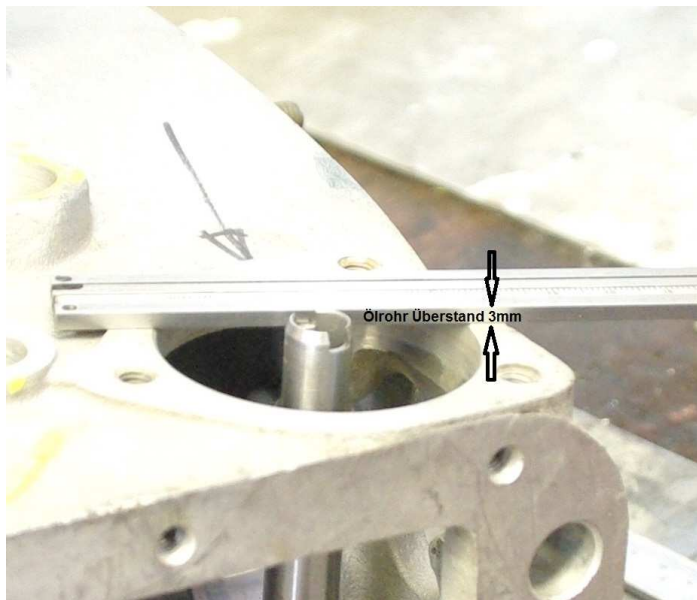
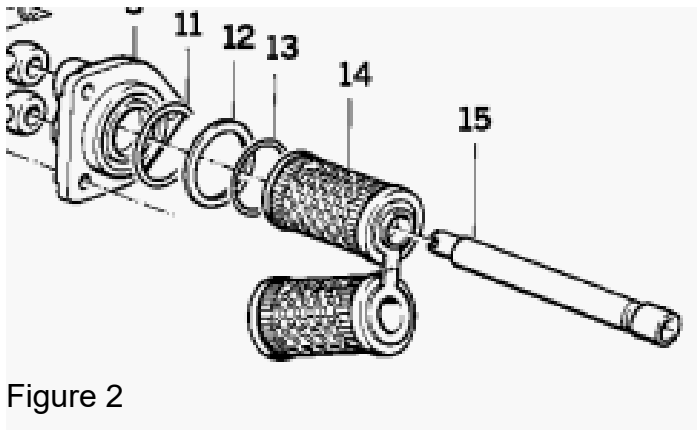


Figure 1

Now install the oil filter and mount the connection cover. Please pay attention to the order of the individual parts (see picture 2). Paper seal is optional.



- 11 O-ring
- 12 Spacer
- 13 Sealing ring
- 15 Central tube

Figure 2

The lines can now be installed. It is best to lead the lower line to the left-hand side of the vehicle, i.e. the longer oil line is screwed on at the bottom. The two oil lines are screwed directly onto the oil cooler. Please tighten this connection firmly. The two banjo bolts on the motor should be tightened to 17-20 Nm. If all lines are screwed tight, you can align the oil cooler and tighten the clamp as well. Pay attention to the freedom of movement of the fender. Secure the two lines with the enclosed cable ties so that they cannot come into contact with the manifold. Please check the amount of oil after a short warm-up phase.