

Installation Instruction

Handlebar Risers 24915

Fits for:

BMW R1200R (2005-2010)
Motorcycles with a 22mm handlebar
and a hole distance of 32-40mm.

Shipment includes:

2x handlebar risers
2x handlebar clamp brackets (upper parts)
8x hexagon socket screw M8x25
1x street homologation EU
1x mounting instructions



Dismantling:

Remove the upper part of the handlebar mounting (clamp brackets).

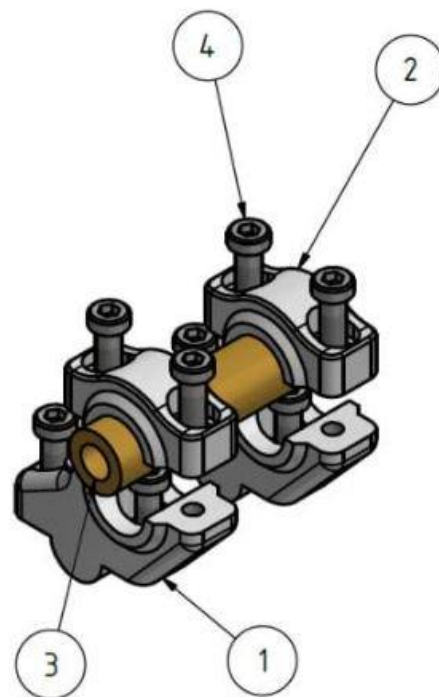
Mounting:

The handlebar risers (1) are used directly on the lower handlebar mounting (lower clamp brackets) under the handlebar. Please use the attached M8x35 screws (4) for fixation. Usually, the handlebar risers are positioned in a way that the handlebar will be moved closer to the rider. After this, position your handlebar correctly and fix the upper clamp brackets (2) by means of the enclosed M8x25 screws.

Screws and safety:

The enclosed screws have to be screwed with the following torque: M8 → 23 Nm

Please also secure the screws with liquid threadlocker and check their firm hold from time to time.



Remarks:

After having mounted the handlebar risers, please check if the brake lines, bowden cables and other cables are in a good condition.

They must not tense or rub even with full steering angle.

If necessary, please replace or extend them.